

Ensto One Home

for single family houses

Ensto One Home makes your EV charging easy and safe. Elegant and durable charging unit is a key to super electric driving experience. Fixed cable is always available for you to use.



My home is my castle

Experience the future of charging at home



“Plug-in or full EV,
Ensto One Home is
your choice!”

EV's or PHEV's spend most of their time at home, just like you. Ensto One Home is the easy and safe way to charge your car while you can concentrate on other, more important matters. Ensto One Home ensures the Super Electric Driving Experience.

Super Easy Installing

Ensto One Home is easy and fast to install on the wall or on dedicated Ensto One pole. It's also super fast to get ready, Ensto Charger Control app enables adjusting charging current if needed and that's it!

Super Easy Charging

Ensto One Home is always equipped with fixed 5-meter charging cable and Type 2 plug. When not in use, plug rests gently in the middle of the indicator ring. Super easy, right?

Super Safe Charging

Ensto One Home is designed according to latest standards concerning EV charging. It's made to last also in harsh weather conditions. Ensto One Home makes sure, that you're ready for your next super electric driving experience.





Structure

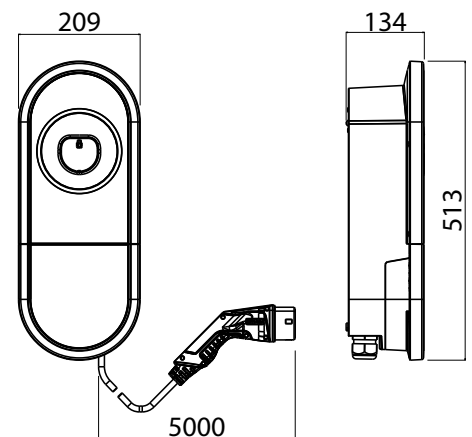
- Enclosures polycarbonate (PC) plastic
- IP54
- IK10
- Ambient temperature range -40...+50 °C

Installation

- Wall installation as a default, optionally available also pole adapter and full length pole
- 1-phase power supply
- L1, N, PE Cu 2.5-10 mm²
- Mobile app (Bluetooth) for adjusting operating current from 6A-16A/32A

Features

- Fixed, 5 m cable with Type 2 plug and integrated plug holder
- Two current versions 16A and 32A, 1 phase
- Operating current adjustable from 6A-16A/32A
- Start/stop charging from the app if authorized operating mode is selected
- Built-in Residual Current Monitoring module for DC current leakage detection (RDC-DD, 6mA)
- Optionally also residual current operated circuit-breaker with integral overcurrent protection (RCBO, 30mA)



E number	Product code	Technical name	Data connection	3,6 kW	7,4 kW	RCBO
Ensto One Home						
	EVH161-HC000	Ensto One Home 1x16A Type2 cable IP54	no	x		
	EVH321-HC000	Ensto One Home 1x32A Type2 cable IP54	no		x	
	EVH161-HCR00	Ensto One Home 1x16A Type2 cable RCBO IP54	no	x		x
	EVH321-HCR00	Ensto One Home 1x32A Type2 cable RCBO IP54	no		x	x



Ensto enables smart EV charging for everyone!

PUBLIC CHARGING
WORK CHARGING

HOME CHARGING

	Ensto One Home	Ensto eFiller	Ensto One	Ensto Wallbox	Ensto Pro	Ensto Premium	Ensto Media
1-PHASE	x	-	x	x	x	x	x
3-PHASE	-	x	-	x	x	x	x
KW / OUTLET	3,6 / 7,4	11	3,6 / 7,4	22+22 (dual outlet models)	22+22 (dual outlet models)	22+22 (dual outlet models)	22+22
SMART	-	-	x	x	x	x	x
DATA CONNECTION	-	-	Ethernet	Ethernet / GSM / Wi-Fi	Ethernet / GSM	Ethernet / GSM	Ethernet / GSM
FIXED CABLE	x	x	- / x	-	-	-	-
CABLE RELEASE	-	-	- / x	x	x	x	x
NEEDED RCD	A or built-in ¹⁾	B	built-in	A or built-in ¹⁾	built-in	built-in	built-in
CHARGING OUTLETS	1	1	1	1-2	1-2	1-2	2
USER CONTROL	x ²⁾	-	x ³⁾	x ³⁾	x ³⁾	x ³⁾	x ³⁾
LOAD-MANAGEMENT	-	-	x ⁴⁾	x ⁵⁾	x ⁵⁾	x ⁵⁾	x ⁵⁾
MID-METER	-	-	x	x ¹⁾	x ¹⁾	x ¹⁾	x

¹⁾ Depending on the model, built-in or in separate enclosure

²⁾ Ensto Charger Control app

³⁾ EV Manager with separate subscription

⁴⁾ Cloud based, internet access mandatory

⁵⁾ For Ethernet versions